

# TANK OR TANKLESS, RHEEM QUALITY SAVES YOU MONEY

ClimateCare is Ontario's largest cooperative of local, independent heating and cooling retail contractors. CLARITY by ClimateCare exclusively provides and installs best-in-class hot water heaters by Rheem, North America's largest manufacturer of water heating products.

## RHEEM TANKLESS HOT WATER HEATERS: EARTH-FRIENDLY, CONTINUOUS HOT WATER

Tankless is the most Earth-friendly choice and the most budget-friendly over time. Tankless heaters save energy by instantly heating water only when you want it, and only the water you use. No tank also means a continuous, unlimited supply.

- Typically lasts longer than tank-type heater
- Economical in the that you only pay for what you use
- Smaller unit allows for it to be installed in more places when space is limited
- Temperature can be changed per need (i.e. lower for baby's bath, higher for dishes)



## PRESTIGE® RTGH TANKLESS WATER HEATER SERIES

### Efficiency

- .93 UEF with stainless steel condensing heat exchanger
- Intelligent electronic controls increase energy efficiency and safety

### Safety

- Exclusive Guardian OFW™ overheat film wrap
- Exclusive Hot Start Programming: Minimizes cold water bursts

### Performance

- Exclusive Water Savings Setting: save up to 1,100 gallons per year

- Industry Best Low Flow Activation – Ensures user gets hot water, even in low-demand situations
- Recirculation Pump Kit-Ready: Provides instantaneous hot water at the tap

### Digital remote control and 10 ft. of thermostat wire included

- Industry-best freeze protection to -30°F

### Peace of Mind Warranty

- 12 year all-inclusive warranty including regular tune-ups, service and repairs



### Continuous Hot Water is Just a Call or Click Away

Speak to one of our local experts, ask questions and even get a free, no-hassle quote by calling 1-844-5-CLARITY or visiting us online at [claritybyclimatecare.ca](http://claritybyclimatecare.ca)

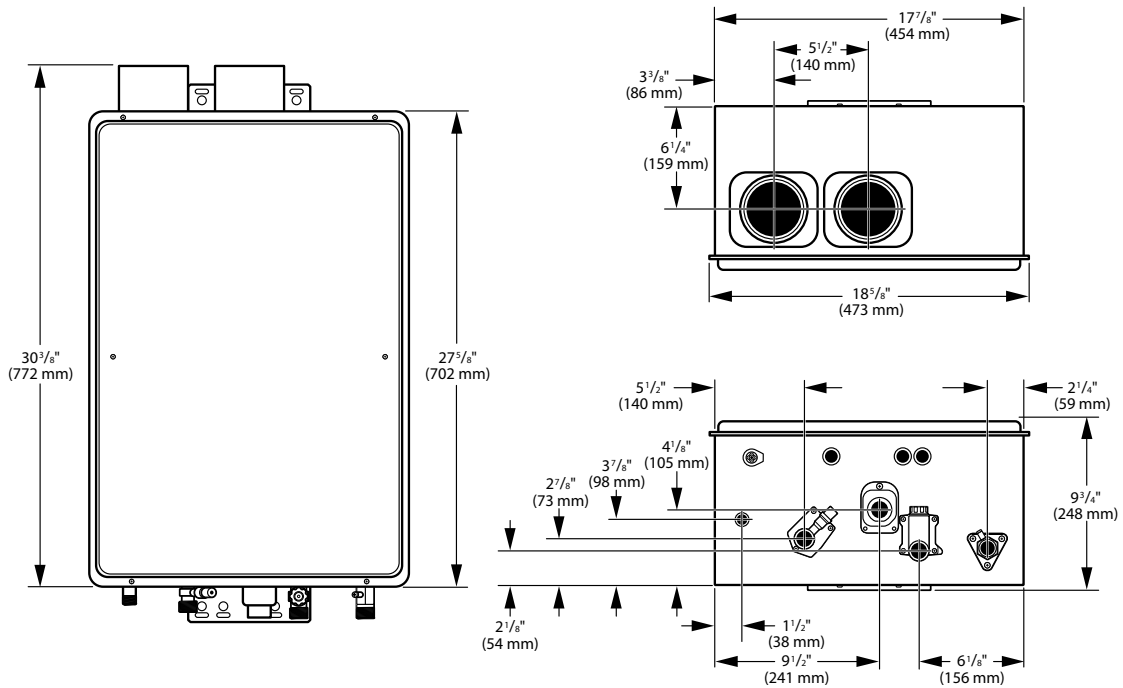


# THE CLARITY DIFFERENCE

## GET TO KNOW OUR UNITS

For those that want to get to the heart of our units, we've outlined some specs below to give you a detailed view of the unit you're investing in. We believe CLARITY means transparency and we 100% stand by the quality of the water heaters we sell and the expertise of your local ClimateCare member. It's just part of the CLARITY difference.

### Specifications – Direct-Vent Models



### Specifications – Outdoor Models

